



Type	JesBelt F
Typical applications	A wide range of coarse, granular and dust like bulk materials with high temperature and/or abrasive characteristics
Benefits	Suitable for abrasive and hot materials. Suitable for heavy duty applications.
Approvals	
Accuracy from*	±1 %
Capacity range	0.5 - 1000 m ³ /h
Product temperature	-30°...160°/200°
Atex option	Zone 21+22 - Zone 1+2
Belt width	300-1250 mm
Regulation range Feeding/weighing Belt speed	10:1 30:1
Construction	St. 37 or AISI 304 Open or with cabinet
Options	Dust cover with inlet funnel and scraper in- and outside the belt. Dust collecting tray. Dust collecting tray with emptying conveyor.

* Accuracy is depending on product characteristics and final design.



JesBelt F

JesBelt F - Heavy duty and versatile

The JesBelt F weigh feeder is based on the lever principle and therefore well suited for applications with coarse, granular and dust like bulk materials with high temperature and/or abrasive characteristics.

Due to the rigid and sturdy construction the JesBelt F is suitable for heavy duty application industries such as weighing of e.g.: sand - gravel - lime - coal- rubber - waste and glass.

The JesBelt F can handle product temperatures up to 160°C with a short peak temperature of 200°C.

The JesBelt F weigh feeder is designed to be simple and thereby easy to service. The design also allows project designed weigh feeder, thus makes it possible to adjust the weigh feeder to existing process lines and it provides a good alternative to the traditional belt conveyor with belt scale.

A wide range of accessory is available for an individual design of the weigh feeder:

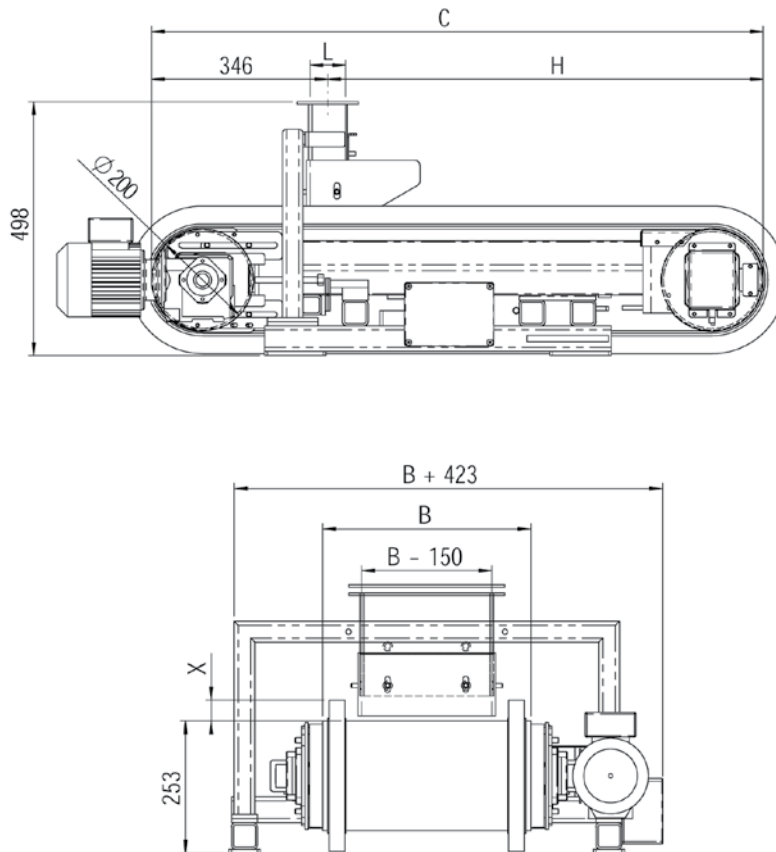
- Flexible rim to eliminate product spill over the sides
- Dust cover including outside scraper of the belt, flanged inlet and outlet and dust extraction connection
- Scrapers for adhesive and sticky products
- Inlet funnel with damper for regulation of product flow
- Outlet funnel
- Belt tracking switches
- Emergency stop with wire
- ATEX compliance





RELIABLE ACCURACY

Standard range JesBelt F



Belt width B	Belt length C	H	L	up to
400	1200	854	76	20 m ³
500	1600	1254	206	35 m ³
600	2000	1654	206	50 m ³
800	2600	2254	206	90 m ³
1000	2300	1954	276	100 m ³

X: 20, 40, 60 80 mm or through-shaped