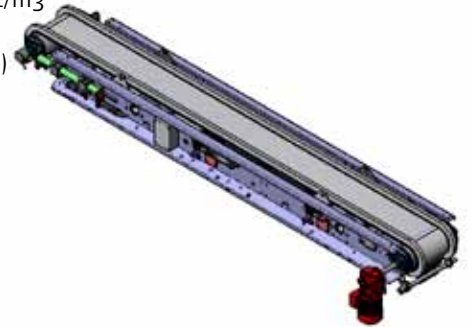




WEIGH FEEDER - JESBELT A

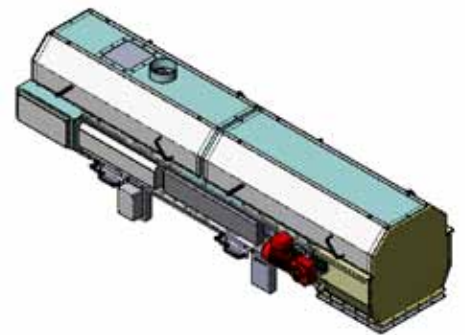
JesBelt A-300/3200

Construction : 204960 - 20282
Capacity : 2,5 t/h, density 0,4-0,7 t/m³
Product : Catalysator granulate
Execution : Stainless steel (AISI 304)
Carried out for ATEX zone



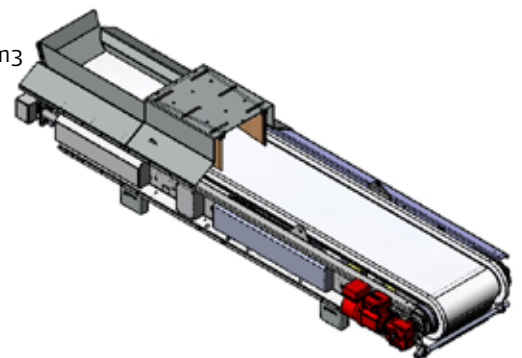
JesBelt A-500/2200

Construction : 206330 - 22414
Capacity : 2 t/h, density 0,6 t/m³
Product : Flour
Execution : Mild steel (St.37)



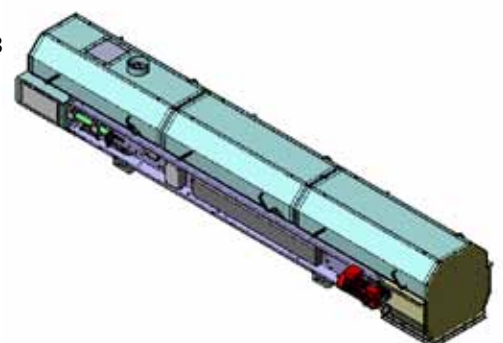
JesBelt A-500/2900

Construction : 205080 - 20429
Capacity : 35 t/h, density 0,6 t/m³
Product : Potatoes
Execution : Mild steel (St.37)



JesBelt A-500/3400

Construction : 204500 - 19839
Capacity : 40 t/h, density 0,7 t/m³
Product : Grain
Execution : Mild steel (St.37)

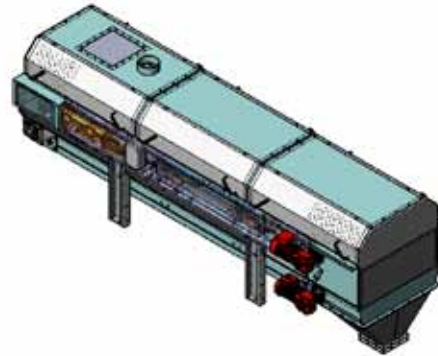




RELIABLE ACCURACY

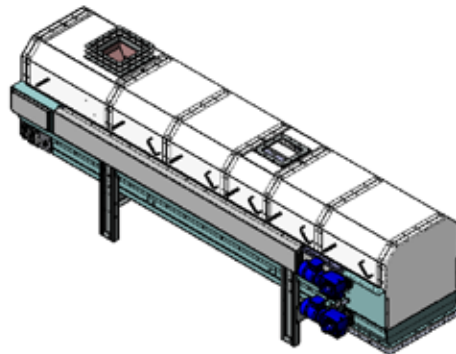
JesBelt A-700/2800

Construction : 205250 - 20588
Capacity : 30 t/h, density 0,65 t/m³
Product : Grain
Execution : Mild steel (st. 37)
For approved weighing Class 1



JesBelt A-700/3400

Construction : 207030 - 24010
Capacity : 5 t/h, density 0,18-0,23 t/m³
Product : Waste
Execution : Stainless steel (AISI 304)
Carried out for ATEX zone
For approved weighing Class 1



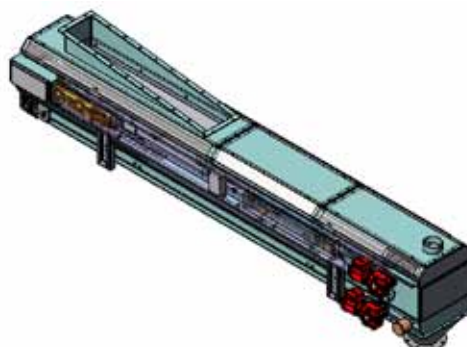
JesBelt A-700/3900

Construction : 205120 - 20480
Capacity : 5 t/h, density 0,5 t/m³
Product : Vegetables
Execution : Stainless steel (AISI 304)



JesBelt A-700/4000

Construction : 207340 - 24519
Capacity : 8 t/h, density 0,4 t/m³
Product : Wood chips
Execution : Mild steel (St.37)
Carried out for ATEX zone

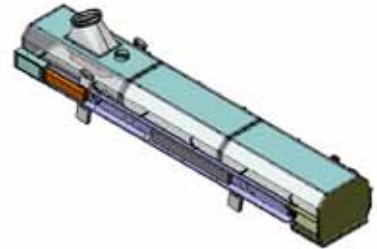




WEIGH FEEDER - JESBELT A

JesBelt A-700/4200

Construction : 204860 - 20152
Capacity : 80 t/h, density 0,85 t/m³
Product : Sugar
Execution : Stainless steel (AISI 304)
Carried out for ATEX zone



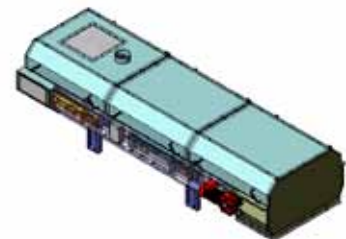
JesBelt A-700/5700

Construction : 207080 - 24217
Capacity : 900 t/h, density 0,6 t/m³
Product : Tobacco
Execution : Mild steel (St.37)



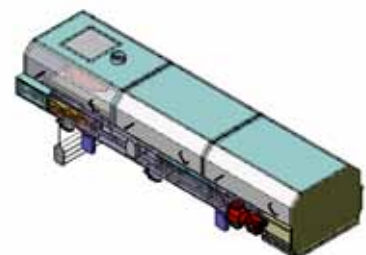
JesBelt A-900/2800

Construction : 203510 - 19174
Capacity : 120 t/h, density 0,75 t/m³
Product : Corn/soya
Execution : Mild steel (St.37)



JesBelt A-900/3400

Construction : 206720 - 22744
Capacity : 150 t/h, density 0,65 t/m³
Product : Wheat/maize
Execution : Mild steel (St.37)
For approved weighing

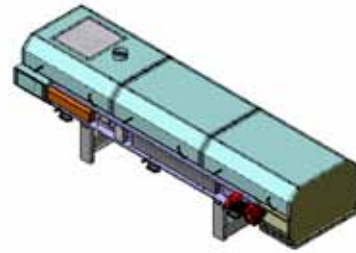




RELIABLE ACCURACY

JesBelt A-900/3400

Construction : 206250 - 22419
Capacity : 70 t/h, density 0,55 t/m³
Product : Meat and bone meal
Execution : Mild steel (St.37)



JesBelt A-1000/2200

Construction : 206790 - 22988
Capacity : 28 t/h, density 0,8 t/m³
Product : Limestone
Execution : Mild steel (St.37)



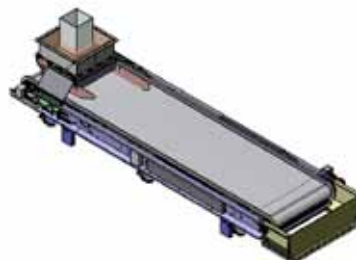
JesBelt A-1000/3200

Construction : 206890 - 22988
Capacity : 8 t/h, density 0,8 t/m³
Product : Gypsum
Execution : Mild steel (St.37)



JesBelt A-1000/4000

Construction : 204530 - 19967
Capacity : 150 t/h, density 0,65 t/m³
Product : Feed pellets
Execution : Mild steel (St.37)

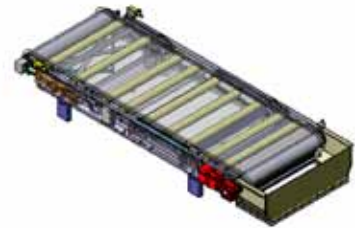




WEIGH FEEDER - JESBELT A

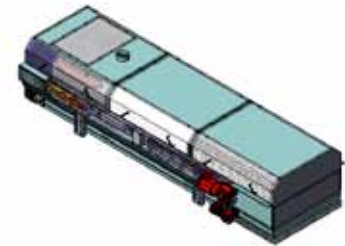
JesBelt A-1100/3200

Construction : 206860 - 22988
Capacity : 75 t/h, density 0,8 t/m³
Product : Tiles
Execution : Mild steel (St.37)



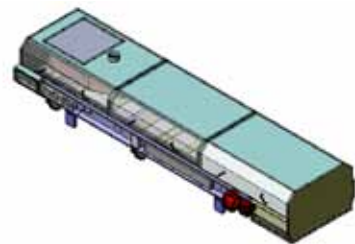
JesBelt A-1100/3500

Construction : 205870 - 21398
Capacity : 1000 t/h, density 1,5 t/m³
Product : Rock phosphate
Execution : Mild steel (St.37)



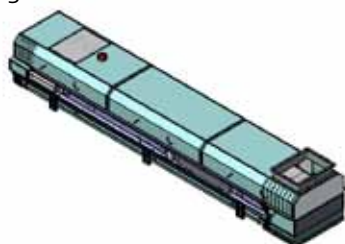
JesBelt A-1100/4200

Construction : 204970 - 20283
Capacity : 350 t/h, density 0,7 t/m³
Product : Grain
Execution : Mild steel (St.37)



JesBelt A-1100/5900

Construction : 204720 - 20046
Capacity : 36 t/h, density 0,05-0,1 t/m³
Product : Biofuel/straw
Execution : Mild steel (St.37)
Carried out for ATEX zone

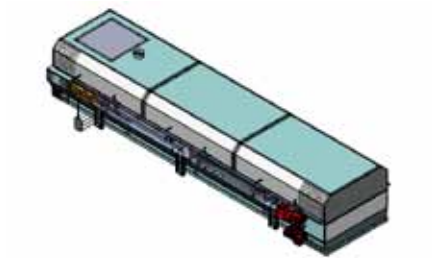




RELIABLE ACCURACY

JesBelt A-1200/5000

Construction : 207430 - 24607
Capacity : 250 t/h, density 0,5 t/m³
Product : Grain
Execution : Mild steel (St.37)



JesBelt A-1200/5464

Construction : 206450 - 22523
Capacity : 5-50 t/h, density 0,8-1,2 t/m³
Product : Calcium sulfate
Execution : Mild steel (St.37)
Carried out for ATEX zone

