



## WEIGH FEEDERS - JESBELT F

The JesBelt F weigh feeder is a sturdy weigher with a very simple design, which makes it easy to maintain. The simple design makes it possible to keep the price at a reasonable level.

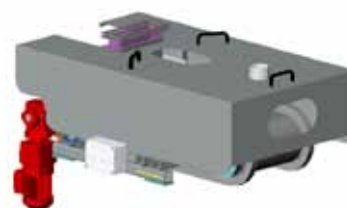
The design also makes it possible to adjust the weigh feeder to existing process lines and is a good alternative to the long conveyor with the insertable belt scale.

The design of the weigh feeder is based on the lever principle and registers the rotational speed on the belt. May be equipped with with a very sturdy and if required, heat-resistant belt, to enable weighing of very hot or sharp materials.

### JesBelt F-400/1200

---

Construction	: 205580 - 20915
Capacity	: 1 tph, density 1.0 t/m <sup>3</sup>
Product	: Raw perlite
Execution	: Mild steel (St.37)



### JesBelt F-400/2800

---

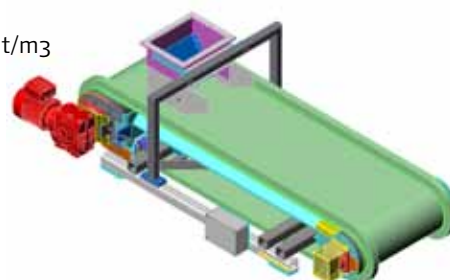
Construction	: 207980 - 24169
Capacity	: 0.15 tph, density 1.0 t/m <sup>3</sup>
Product	: Ceramics powder
Execution	: Mild steel (St.37)



### JesBelt F-500/1600

---

Construction	: 202290 - 18259
Capacity	: 1.5-7 tph, density 0.4 t/m <sup>3</sup>
Product	: Petfood
Execution	: Mild steel (St.37).



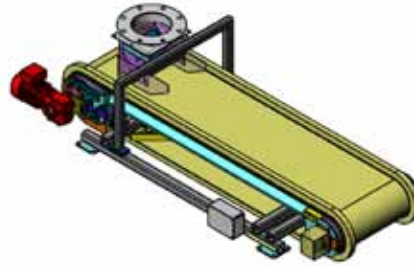


# RELIABLE ACCURACY

## JesBelt F-500/1900

---

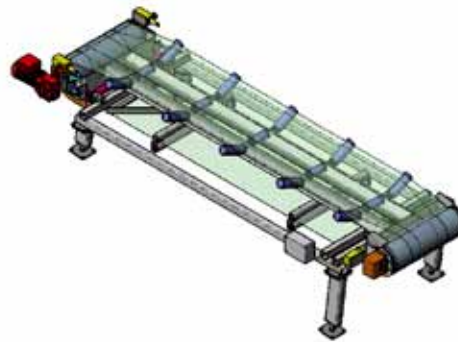
Construction : 203710 - 19268  
Capacity : 10 tph, density 1.4 t/m<sup>3</sup>  
Product : Arenaceous quartz (dry)  
Execution : Mild steel (St.37).



## JesBelt F-550/2900

---

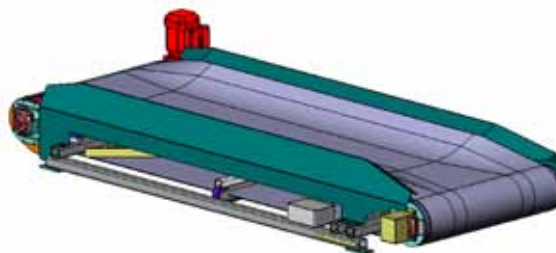
Construction : 203460 - 18968  
Capacity : 3.0 tph  
Product :  
Execution : Mild steel (St.37)



## JesBelt F-800/2600

---

Construction : 207010 - 15943  
Capacity : 2.0 tph, density 0.1 t/m<sup>3</sup>  
Product : Slag/wool waste  
Execution : Mild steel (St.37)



## JesBelt F-1000/2300

---

Construction : 206480 - 22571  
Capacity :  
Product :  
Execution : Mild steel (St.37)

