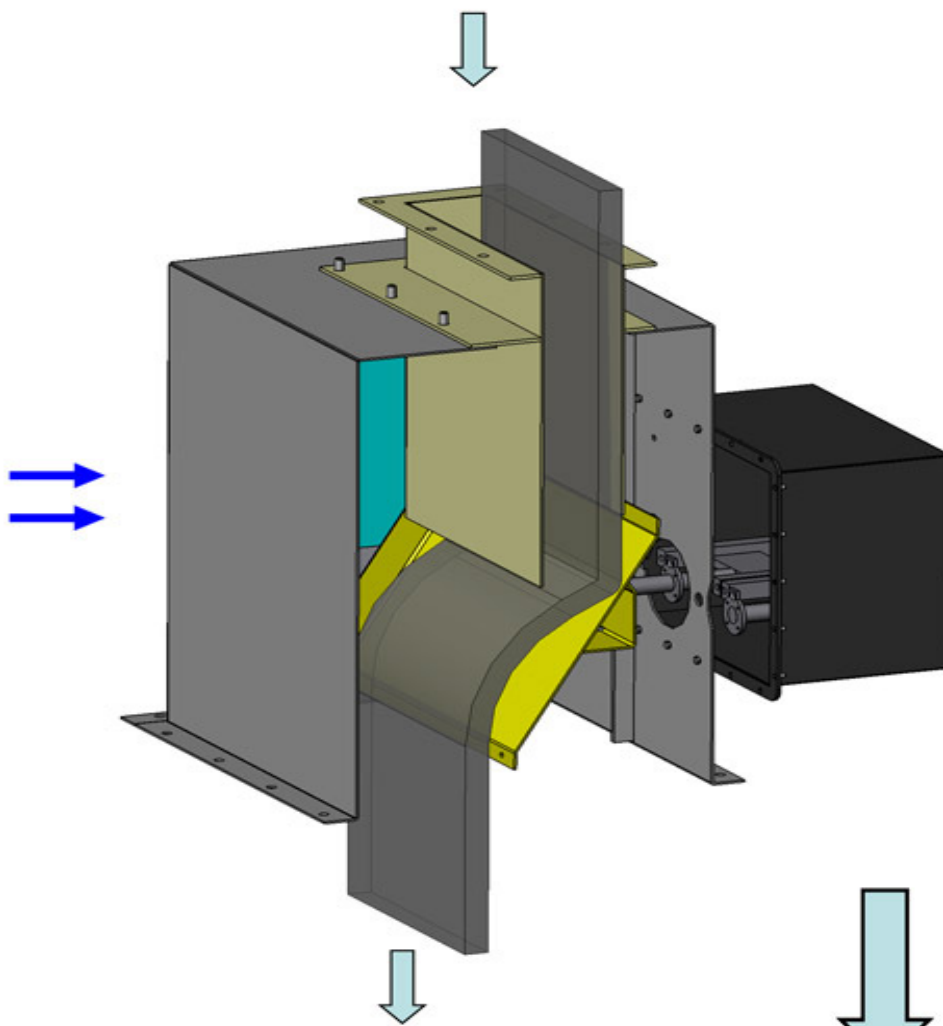


# Functional principle for VPR



Product flow

Product

Load