



## BATCHING SCALES

### Lab dosing

---

The Jesma lab dosing scale JesBatch is designed to eliminate cross contamination and operate with a very high static accuracy in the dosing and batching of ingredients in low quantities.

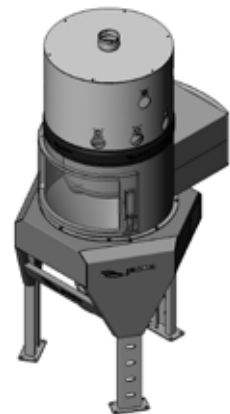
The scales consist of a teflon coated weigh bin which is emptied when pneumatically turned upside down and vibrated by a pneumatic hammer to ensure complete emptying between batches.

With its weigh bin, gear motor and load cell mounted in a sturdy and rigid frame, the Jesma lab dosing scale will provide superior accuracy and operation reliability.

Based on the ATEX guidelines, the JesBatch range is developed with all electrical and pneumatic components located outside the dust zone, and can be supplied in compliance with the ATEX directive zone 20 inside the scale. The weigh bin is easily removed for service, and the weigh bin lid is provided with connection for aspiration.

The dosing chamber is individually designed with inlet holes for the dosing screws which are located to secure optimum dosing accuracy into the weigh bin.

The JesBatch lab scales are supplied in stainless steel AISI304



### Types of lab scales

---

Lab-scale JesBatch-02  
Static capacity: 0 – 2 kg  
Static weighing accuracy: +/- 0.5 g  
Hopper volume: 5 litres  
Diameter: Ø300 mm

Lab-scale JesBatch-20  
Static capacity: 10-20 kg  
Static weighing accuracy: +/- 2-5 g  
Hopper volume: 40 litres  
Diameter: Ø600 mm

Lab-scale JesBatch-10  
Static capacity: 10 kg  
Static weighing accuracy: +/- 2 g  
Hopper volume: 20 litres  
Diameter: Ø450 mm

Lab-scale JesBatch-30  
Static capacity: 30 kg  
Static weighing accuracy: +/- 5-10 g  
Hopper volume: 60 litres  
Diameter: Ø600 mm

The overall system accuracy depends on the scale size, the system capacity, the application of coarse and fine dosing screws and the efficiency of the control system.



# RELIABLE ACCURACY

## Micro dosing

The Jesma micro dosing scale VSS/EE is designed to eliminate cross contamination and operate with a very high static accuracy in the dosing and batching of micro ingredients.

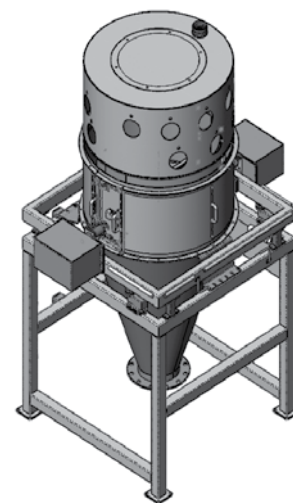
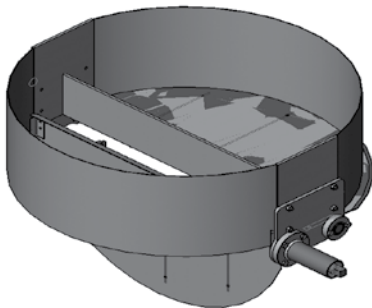
The VSS micro scale consist of a weigh bin with pneumatically activated bottom wings for emptying. The wings are teflon coated and opens 90° to ensure complete emptying between batches.

The VSS design with 3 load cells, a sturdy and rigid steel frame, a dosing top, an outlet funnel and a rack provides market leading operational reliability and superior accuracy.

Based on the ATEX guidelines, the VSS/EE range is developed with all electrical and pneumatic components located outside the dust zone, and it is supplied in compliance with the ATEX directive zone 20 inside the scale.

The dosing chamber is individually designed with inlet holes for the dosing screws, which are located to secure optimum dosing accuracy into the weigh bin.

The VSS/EE micro scales are supplied in stainless steel AISI304



## Types of micro scales

Micro scale VSS/EE-50  
Static capacity: 50 kg  
Static weighing accuracy: +/- 10 g  
Hopper volume: 190 liters  
Diameter: Ø900 mm

Micro scale VSS/EE-100  
Static capacity: 100 kg  
Static weighing accuracy: +/- 20 g  
Hopper volume: 320 liters  
Diameter: Ø900 mm

Micro scale VSS/EE-150  
Static capacity: 150 kg  
Static weighing accuracy: +/- 30 g  
Hopper volume: 320 liters  
Diameter: Ø900 mm

Micro scale VSS/EE-200  
Static capacity: 200 kg  
Static weighing accuracy: +/- 40 g  
Hopper volume: 400 liters  
Diameter: Ø900 mm



## Conical scales

---

Together with the lab dosing and micro dosing scales Jesma completes the range of dosing scales with 3 conical scales for dosing and batching of medium sized ingredients.

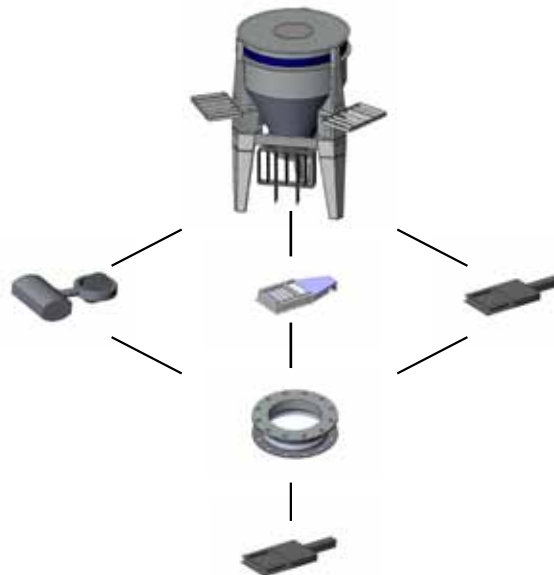
The scales are all supplied completely smooth inside to ensure optimum emptying and minimum cross contamination, combined with a strong and rigid construction to perform the best possible operational reliability.

The scale is delivered with removable platforms for test weights. When the platforms are not in use, they can easily be mounted on the hooks on the side of the scale as shown on the below drawing.

The conical scale type JesHopper range is available in coated steel or AISI304.

To prevent dust in the surroundings a slight negative pressure must be present in the scale, so aspiration is necessary. Furthermore it must be ensured that air from the below transportation system does not affect the weighing.

The air flow can be stopped by mounting a slide gate above the transportation system as well as a butterfly valve, slide gate or JesValve in the cone outlet as shown below.



### Types of conical scales

JesHopper Ø1200  
Static capacity: 100-450 kg  
Static weighing accuracy: +/- 100 g  
Hopper volume: 900 litres  
Diameter: Ø1200 mm

JesHopper Ø1400  
Static capacity: 450-700 kg  
Static weighing accuracy: +/- 500 g  
Hopper volume: 1400 litres  
Diameter: Ø1400 mm

JesHopper Ø1600  
Static capacity: 700-1000 kg  
Static weighing accuracy: +/- 500 g  
Hopper volume: 2100 litres  
Diameter: Ø1600 mm

The overall system accuracy depends on the scale size, the system capacity, the application of coarse and fine dosing screws and the efficiency of the control system.