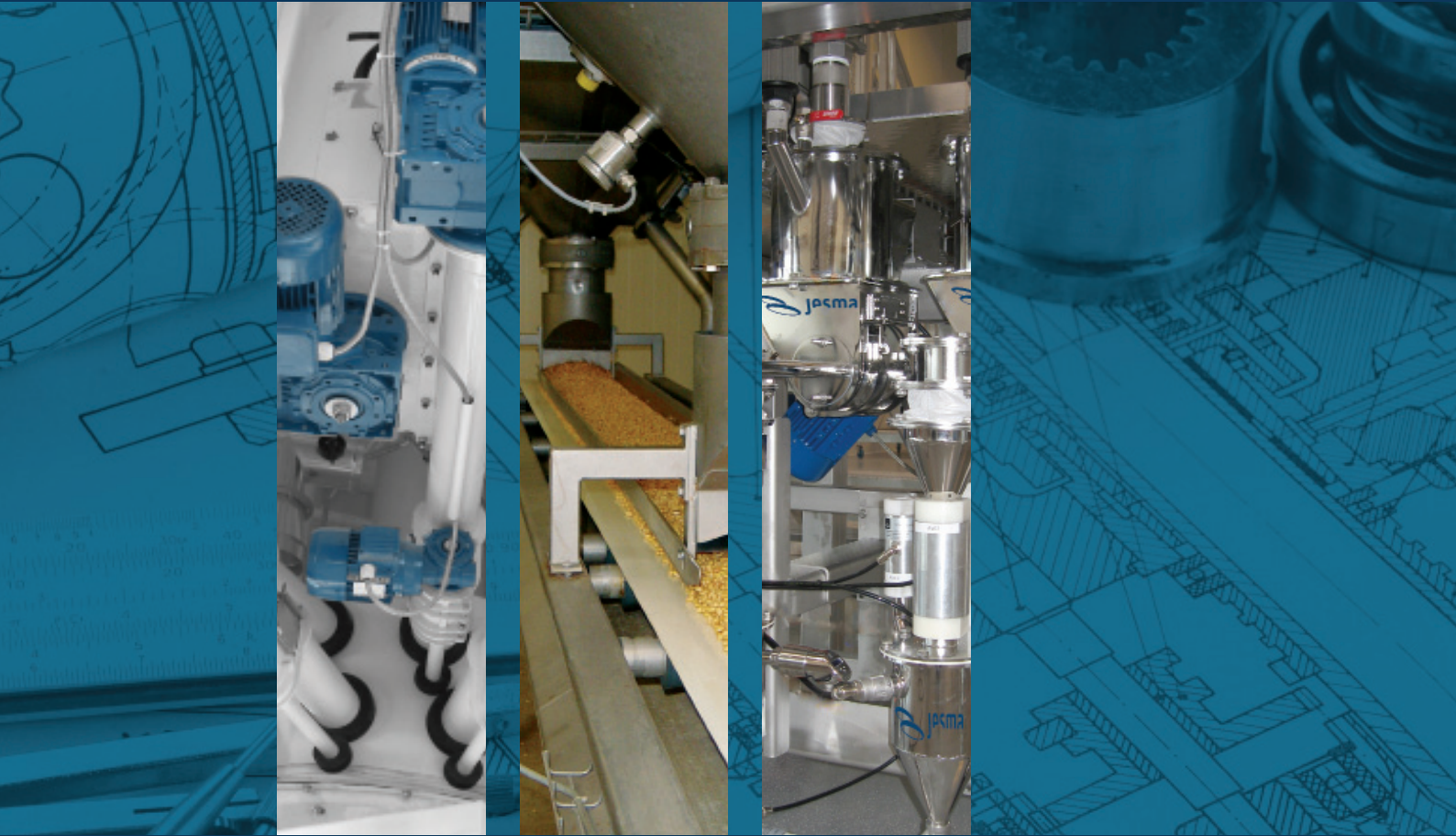


JesFlow

Advanced weighers and weighing systems for static, dynamic and continuous weighing





JesFlow

Flow scale for continuous inline weighing of dry and/or free flowing products

The Jesma JesFlow scale is designed for the in-line and continuous weighing of bulk materials such as powders and granulates.

With its intelligent weighing system, using the centrifugal forces, the JesFlow can be applied in any vertical process line of dry and/or free flowing products. Due to the compact construction the JesFlow can easily be retrofit into existing process lines where accurate measurement of the process flow is required.

Weighing accuracies from +/- 1-2 % of max. flow.

Construction

The JesFlow is supplied in a strong and rigid cabinet, suitable for installation in a closed conveying system.

The weighing chute is mounted in a parallelogram which is freely transmitting the centrifugal forces to the load cell.

The scale is built around a high precision load cell suspended in a parallelogram which isolates the load cell from the mechanical structure.

The load cell is mounted fully separated from the product flow, and the construction secures a long lifetime as the scale is free from moveable parts.

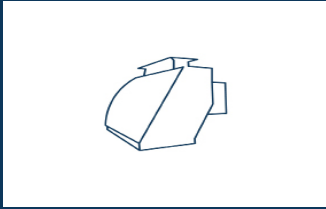
The product flow is entered into the scale through the top inlet where it will cross the distributor plate and the curved weighing chute. The curved weighing chute allows the scale to use the centrifugal forces for weighing very accurately. This weighing solution secures optimum stability and accuracy in the operation of the scale while keeping the overall dimensions to a minimum.

The product inlet of the scale is supplied including an adjustable distributor plate which allows the material to be equally distributed across the plate for optimum accuracy and linearity. During commissioning the distributor plate is adjusted using the included lockable bolts.

A diverter for test samples after the weigher is recommended to run a known amount over the weigher and allow accurate calibration and control weighing.

The JesFlow is supplied including:

- Overload protection of the load cell
- Access door on each side for easy access to vital parts.
- Front inspection window for visual control.
- Maintenance free weighing construction with load cell suspended out of product flow.
- Easy removable cover for the load cell for quick access for service and maintenance.
- Dust tight construction with thick rubber sealing.
- The flow scale is supplied in painted steel ST37.2 and AISI 304



RELIABLE ACCURACY

Weigh control

The signal from the load cell is transmitted to the Jesma weigh controller WC9604 or Jestronec where it is amplified.

The amplified signal is used for calculation of the quantity passing the weighing chute, and is shown in the weigh controller display as absolute figures in kg or tons. Furthermore the actual flow is shown in kg/h or t/h.

In the weigh controller the load signals are converted into 0-20 mA or 4-20 mA outputs, which allows a number of different control functions.

With a Jesma weigh controller, the JesFlow can be calibrated for 25 different products - each of them with resettable flow counter and totalizer.

Please refer to separate leaflet regarding weigh controller for more information.

Technical specifications

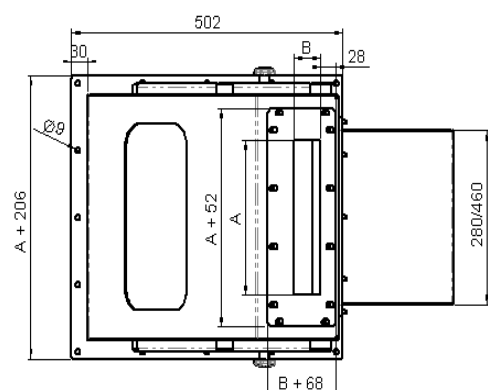
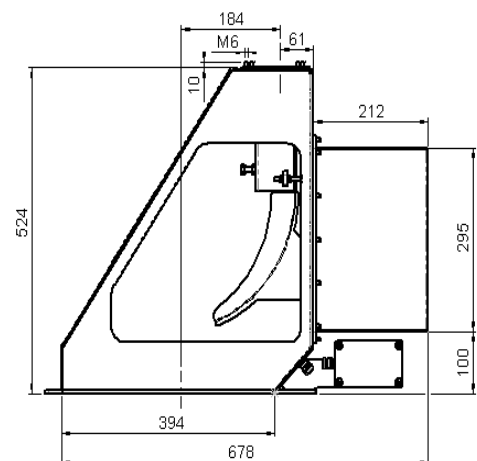
The Jesflow scale is supplied as a fully tested unit, built-into a painted steel cabinet, or in a stainless steel cabinet upon request.

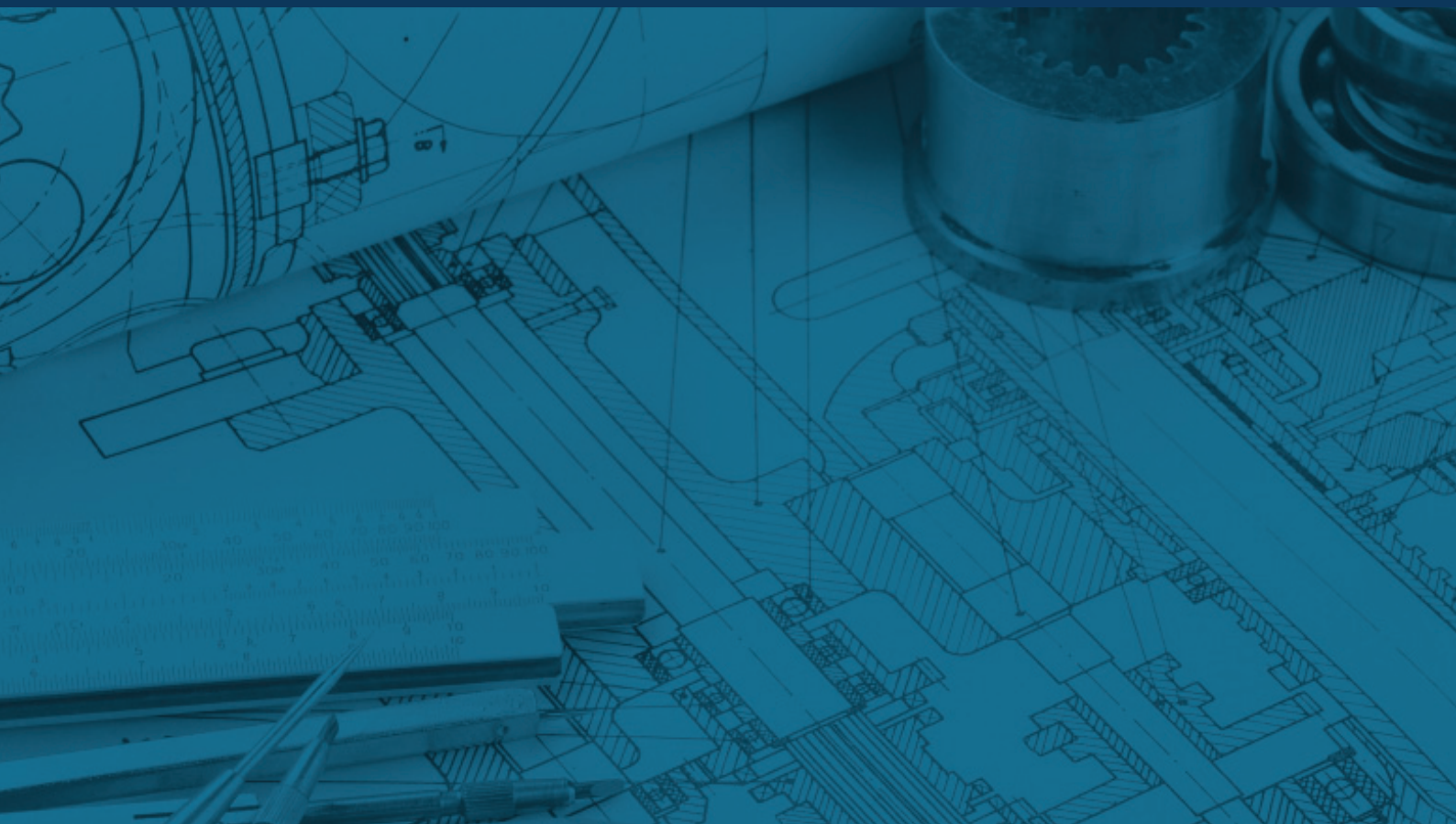
The scale is supplied including access to the vital components through the doors and the load cell cover, and with stainless steel AISI304 weighing chute, which is also available in AISI316.

Available with Atex load cell zone 21

The JesFlow is available in 4 standard sizes

Type	m ³ /h	A	B
JesFlow-1	0-1	150	30
JesFlow-5	1-5	150	30
JesFlow-10	2-10	150	50
JesFlow-25	5-25	250	50





Jesma

Helsingørvej 18
DK-7100 Vejle
Tel. +45 7572 1100
Fax +45 7572 1222
Mail: jesma@jesma.dk
www.jesma.com

Jesma GmbH

Alter Kirchenweg 83
D-24983 Handewitt
Tel.: +45 7572 1100
Fax:+45 7572 1222
Mail: jesma@jesma.com
www.jesma.com

Jesma Sp. z o.o.

ul. Przemysłowa 48B
PL-Piła 64-920,
Tel.+48 7220 11022
Fax +48 672 153 458
Mail: mtr@jesma.com
www.jesma.com

Jesma BV

Klein Wolfslaar 18 C
NL-4854 PK Breda
Tel.+31 161 434 183
Mail: nl@jesma.com
www.jesma.com