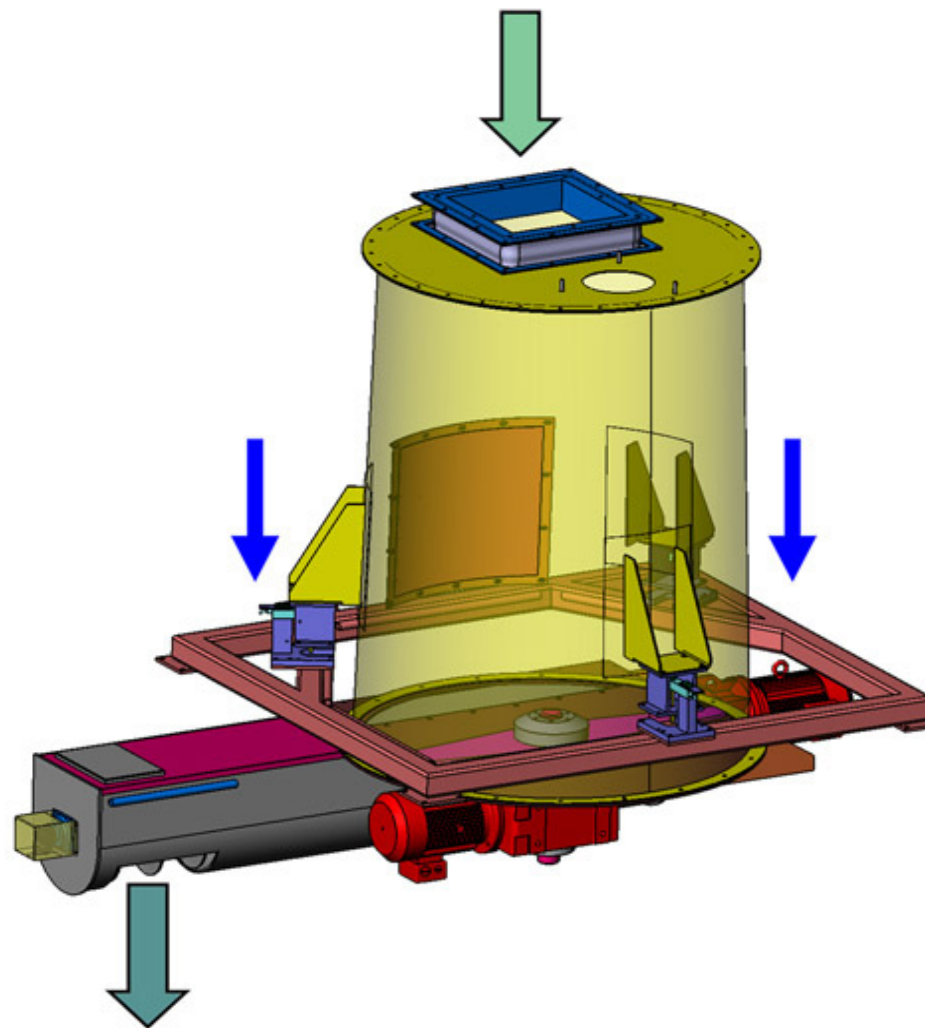


Functional principle for LIW-System



Product in



Product out - regulated flow



Load